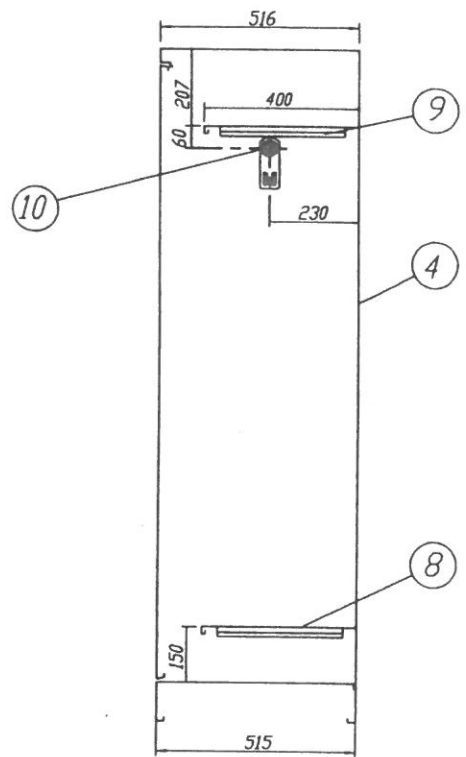
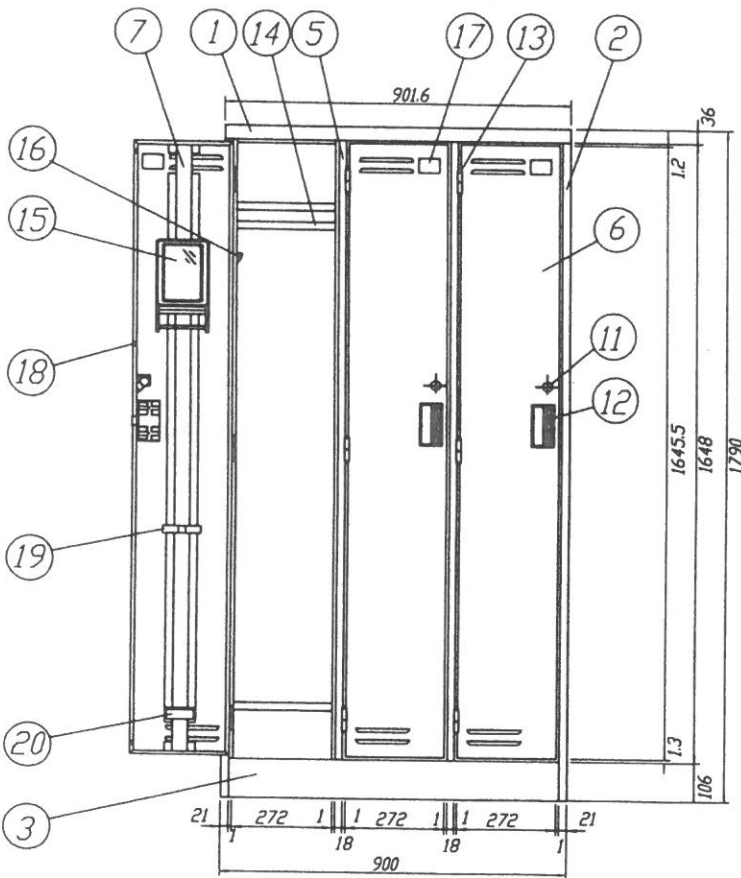
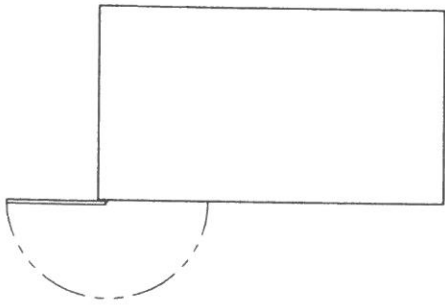


# 3-LOCKER

## LEFT HINGE

WREN\_32L

TITLE.



⑩	COAT HOOK HOLDER & PIPE HOLDER		②①	WATER RECEPTACLE	
⑨	SHELF HOLDER		②②	UMBRELLA HOLDER	
⑧	SHELF		②③	RUBBER CUSHION	
⑦	DOOR REINFORCEMENT		②④	NAME CARD	
⑥	DOOR		②⑤	COAT HOOK	
⑤	CENTER PANEL		②⑥	MIRROR	
④	BACK PANEL		②⑦	HANGER PIPE	
③	BOTTOM PANEL		②⑧	HINGE	
②	SIDE PANEL		②⑨	HIROYOSHI ORIGINAL HANDLE LATCH	
①	TOP PANEL		②⑩	CYLINDER LOCK	
MARK	NAME	MATERIAL	MARK	NAME	MATERIAL